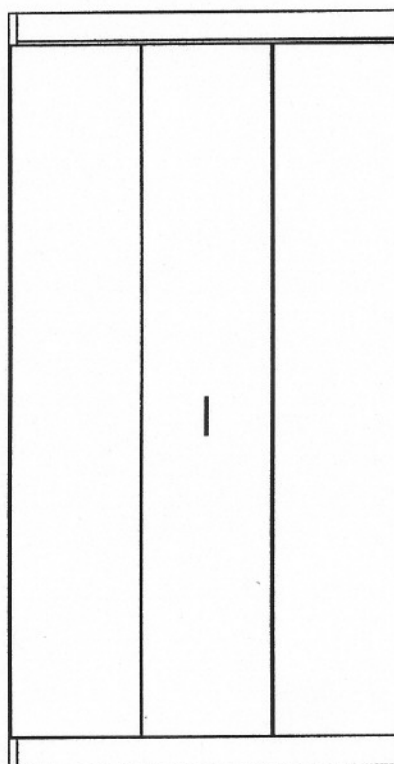


3-DOOR MURPHYBED CABINET INSTRUCTION

Architectural Murphybed
1970 Corporate Sq
Longwood, FL 32750
888-743-0600 fax: 407-331-1800

www.panelbed.com

TWIN

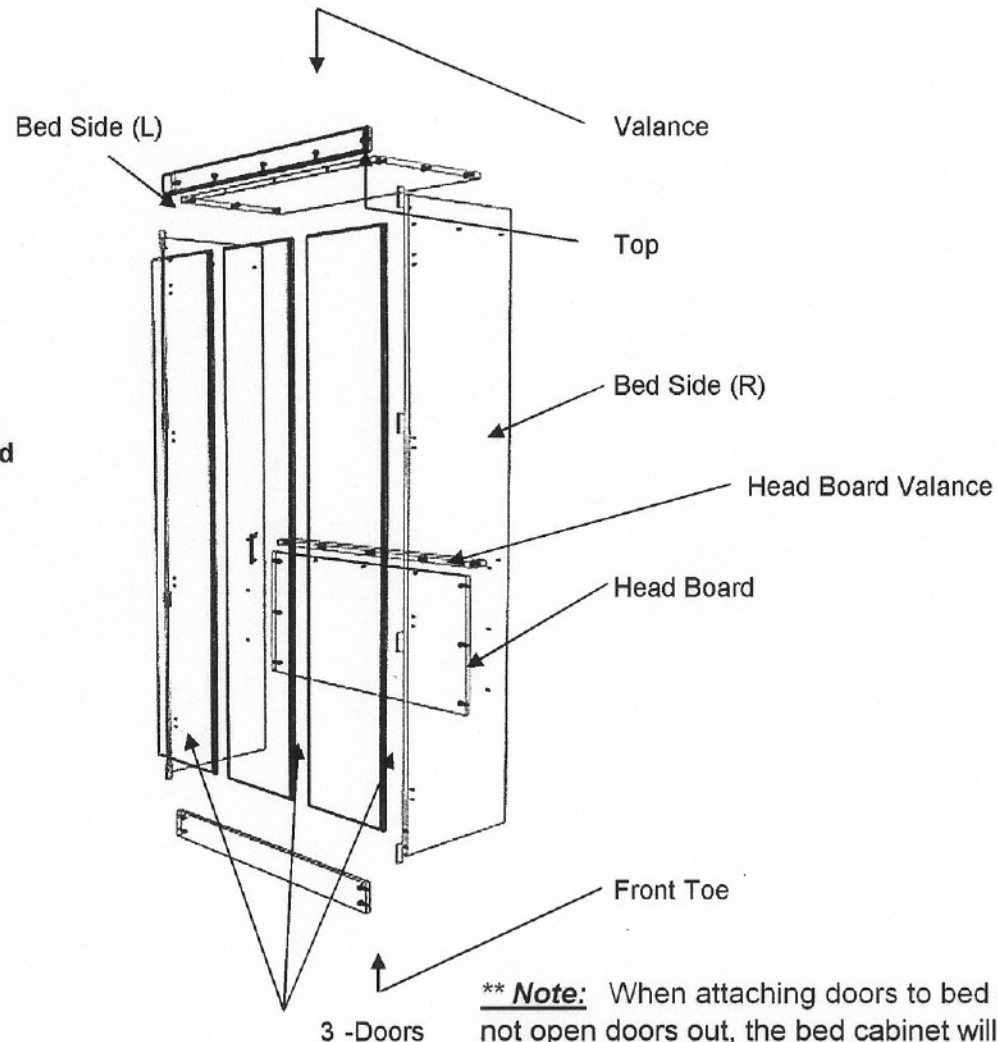


3-DOOR MURPHYBED CABINET INSTRUCTION

Architectural Murphybed
1970 Corporate Sq
Longwood, FL 32750
888-743-0600 fax: 407-331-1800

www.panelbed.com

- STEP #1** Assemble the sides to the top, valance, front toe & head board
- STEP #2** Stand bed up against wall
- STEP #3** Attach doors together and install hinges on doors
- STEP #4** Attach doors to bed sides **
- STEP #5** Level & square bed cabinet and get doors aligned
- STEP #6** Use "L" brackets and secure bed cabinet to wall
- STEP #7** Assemble Murphybed frame
- STEP #8** Install & anchor frame inside bed cabinet



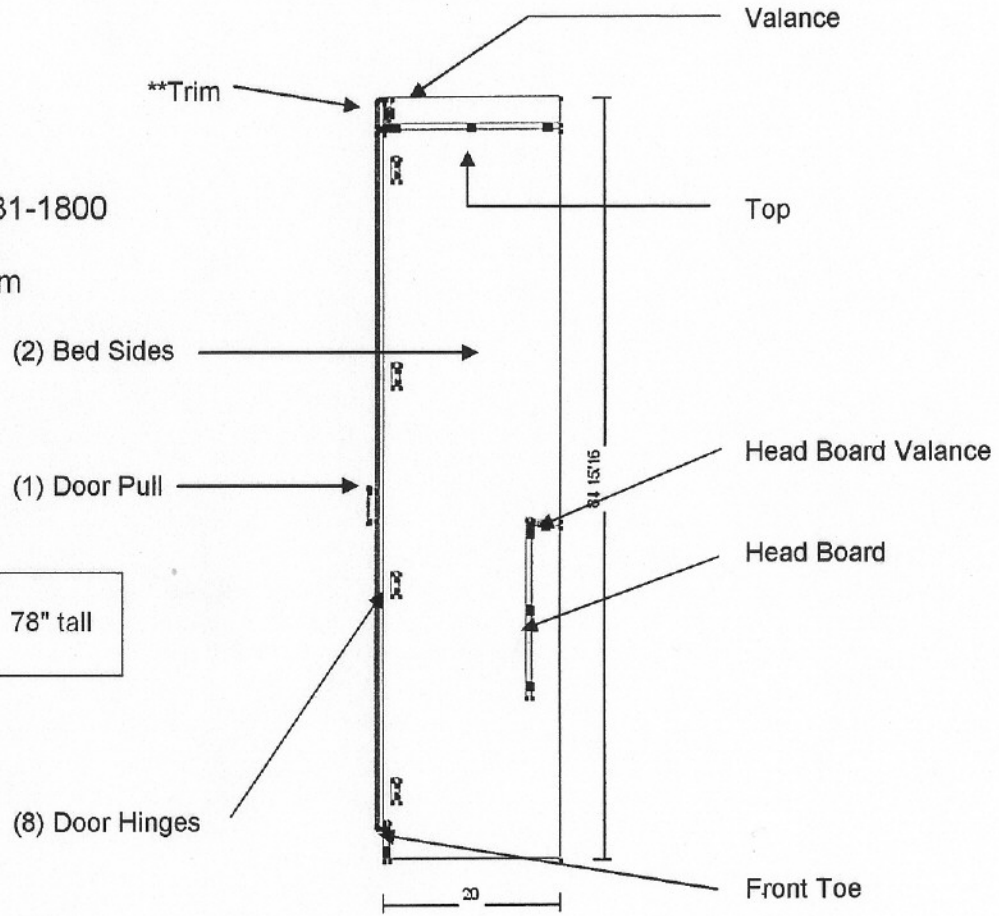
**** Note:** When attaching doors to bed cabinet sides, do not open doors out, the bed cabinet will tip forward. After bed cabinet is attached to the wall with "L" brackets, the doors will open out without tipping the bed cabinet.

TWIN- SIDE VIEW FOR MURPHYBED CABINET INSTRUCTION

Architectural Murphybed
1970 Corporate Sq
Longwood, FL 32750
888-743-0600 fax: 407-331-1800

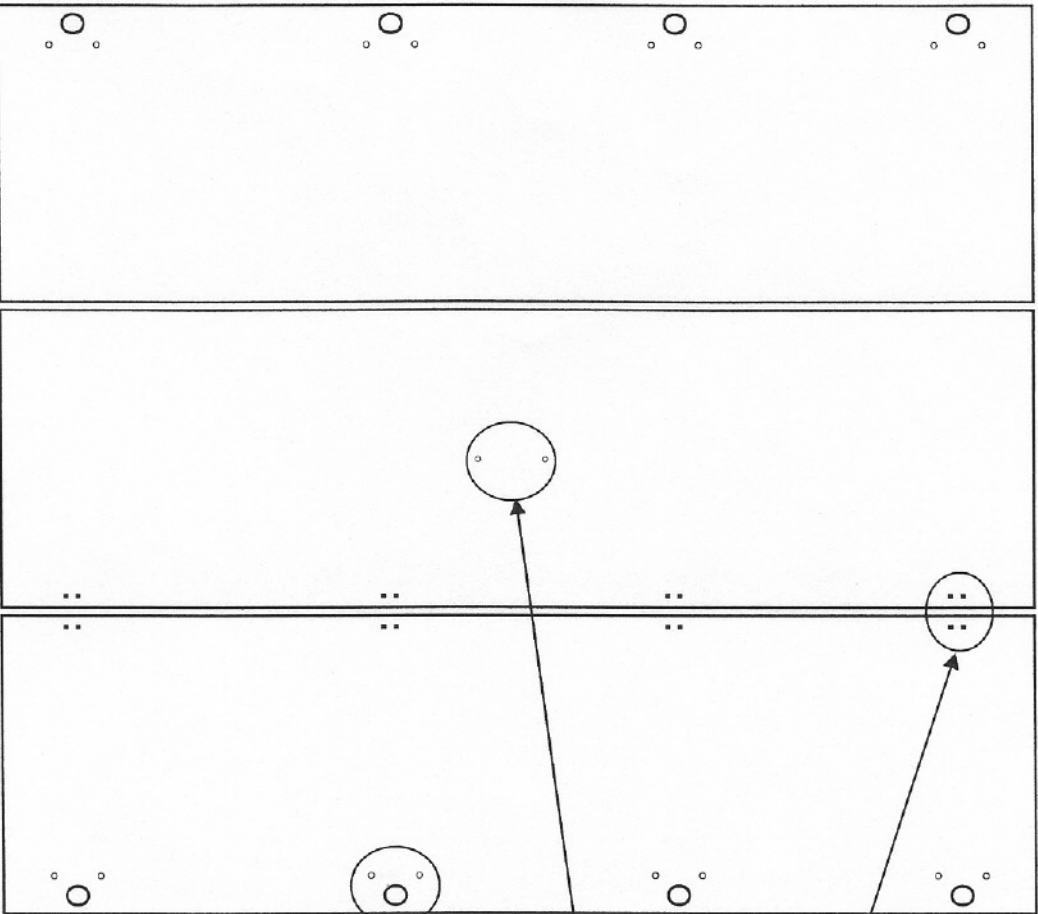
www.panelbed.com

3 -Doors	3- 78" tall
----------	-------------



****Trim is only provided if you order crown molding**

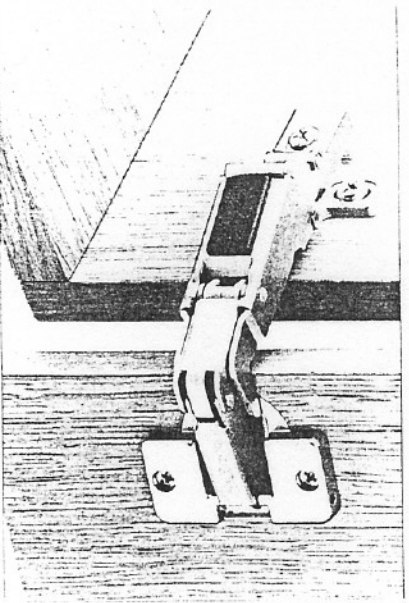
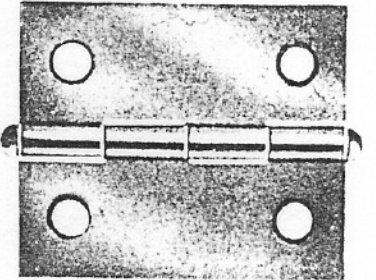
3-DOOR MURPHYBED HINGE LAYOUT

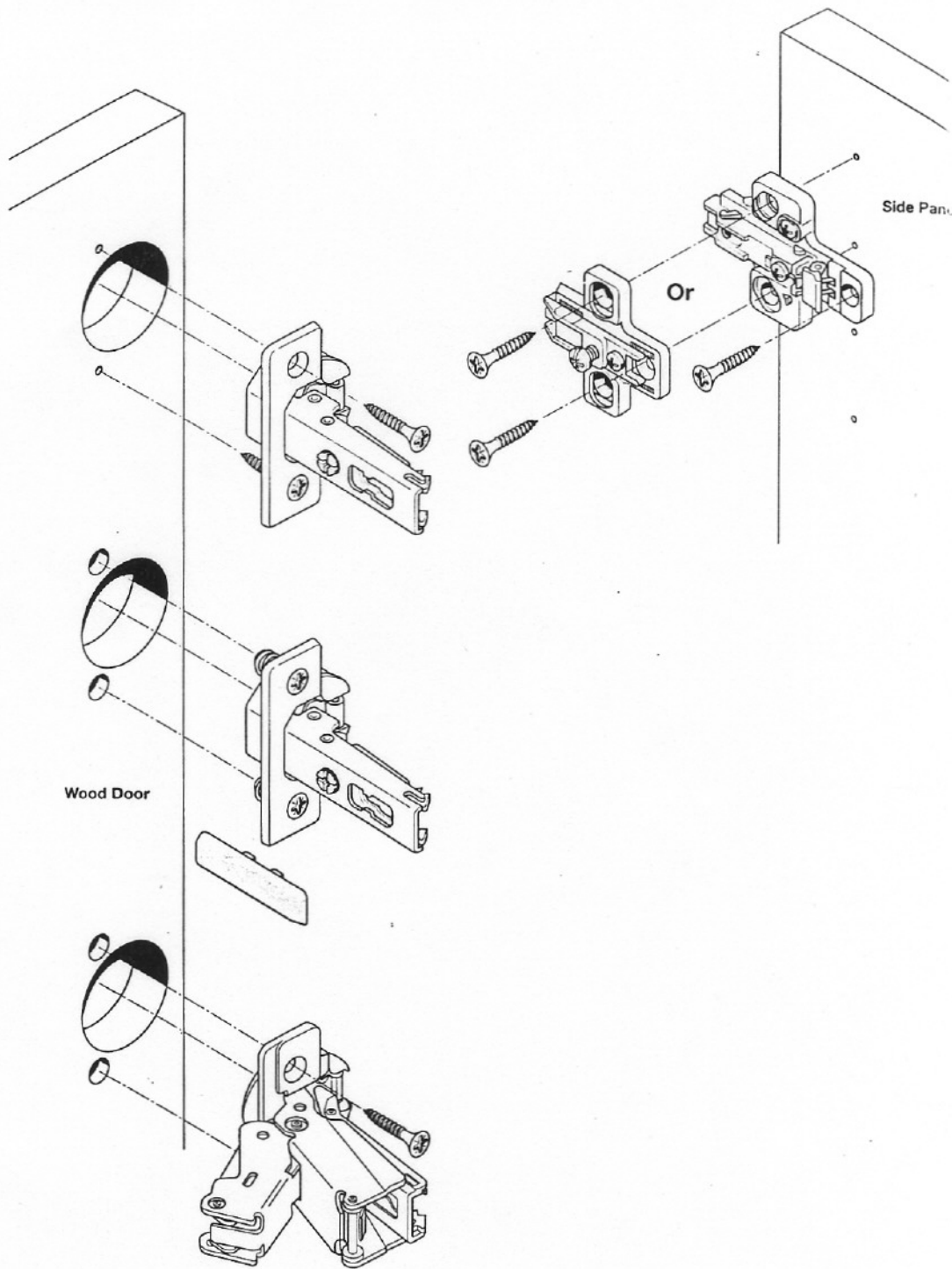
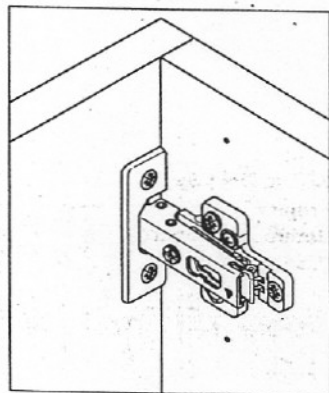
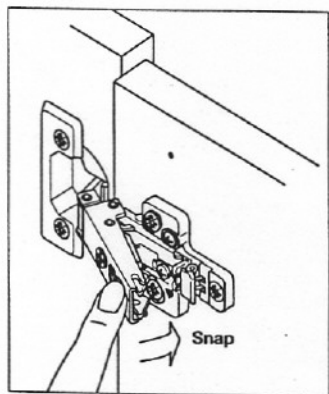
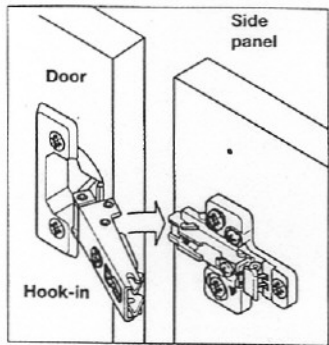


4-Butt Hinges
(typical)

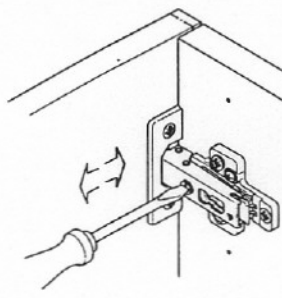
1-Handle
(96mm 3 3/4" holes)

8-Hinges (165 degree)
(typical)

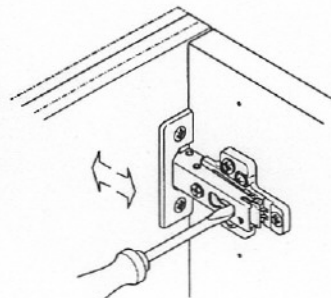




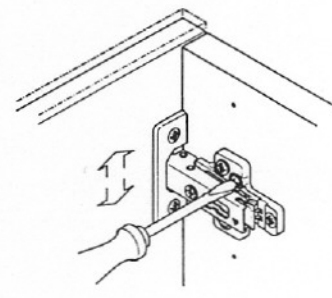
Adjustments



Horizontal
by screw adjustment

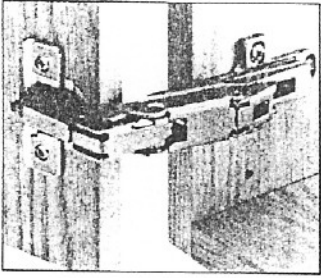


In and out
by loosening the hing-arm
mounting screw

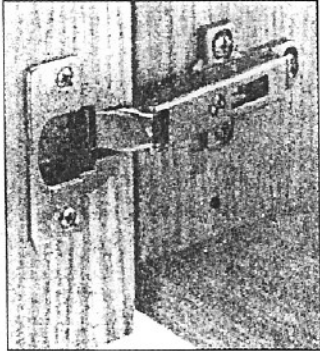
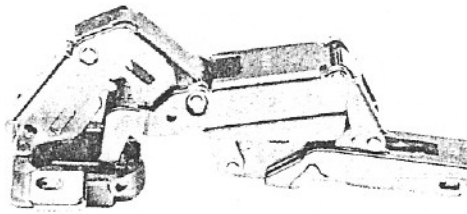


Vertical
via slots in the mounting plate

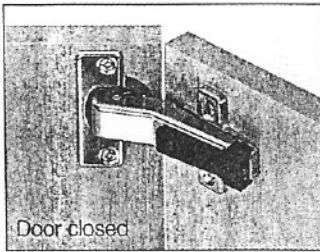
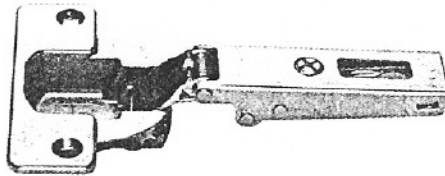
Your order may not need all of these items on this page



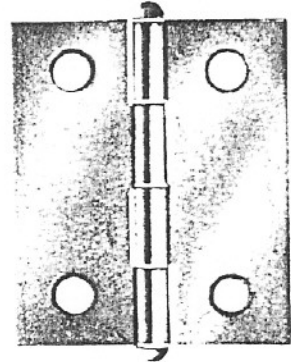
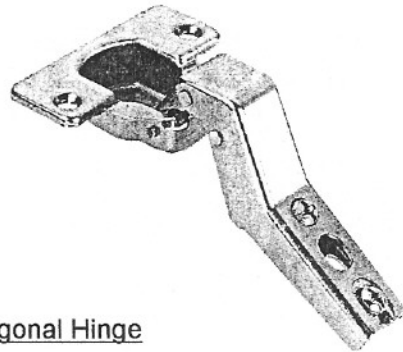
165 Degree Hinge



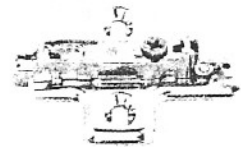
100 Degree Hinge



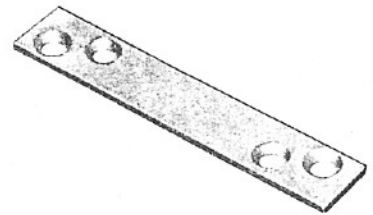
100 Degree Diagonal Hinge



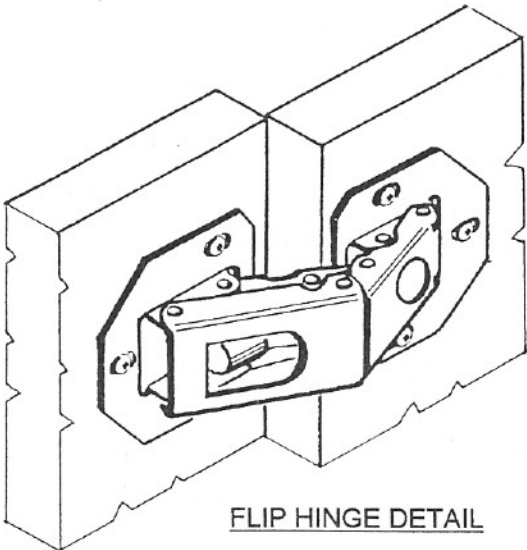
BUTT HINGE



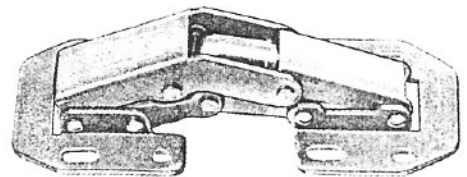
0mm HINGE PLATE



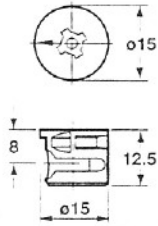
MENDING PLATE



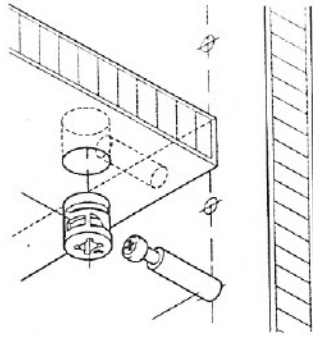
FLIP HINGE DETAIL



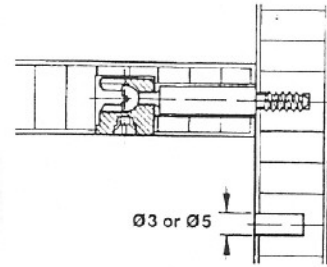
FLIP HINGE



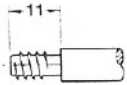
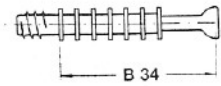
CAM



PIN & CAM DETAIL

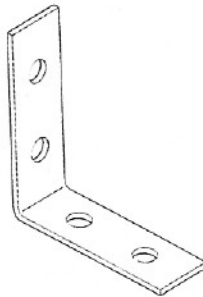


PIN & CAM DETAIL

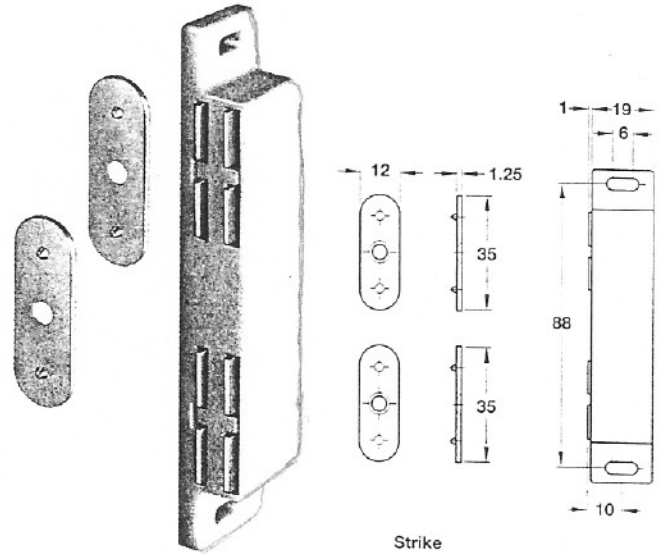


PIN

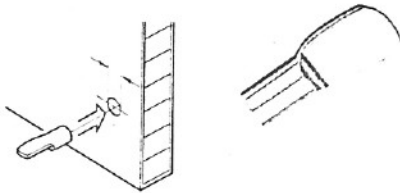
Bracket 1/2 x 1 3/4 x 1 3/4"
16 gauge



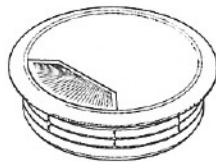
"L"



Strike

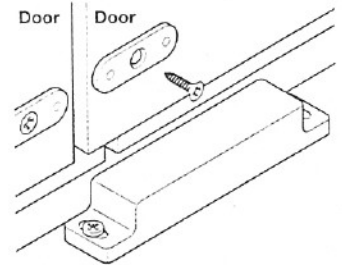


SHELF PIN

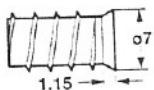


GROMMET

DBL MAGNET



Your order may not need all of these items on this page

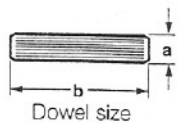
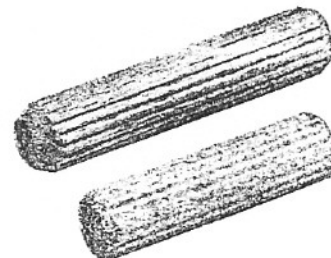


EURO



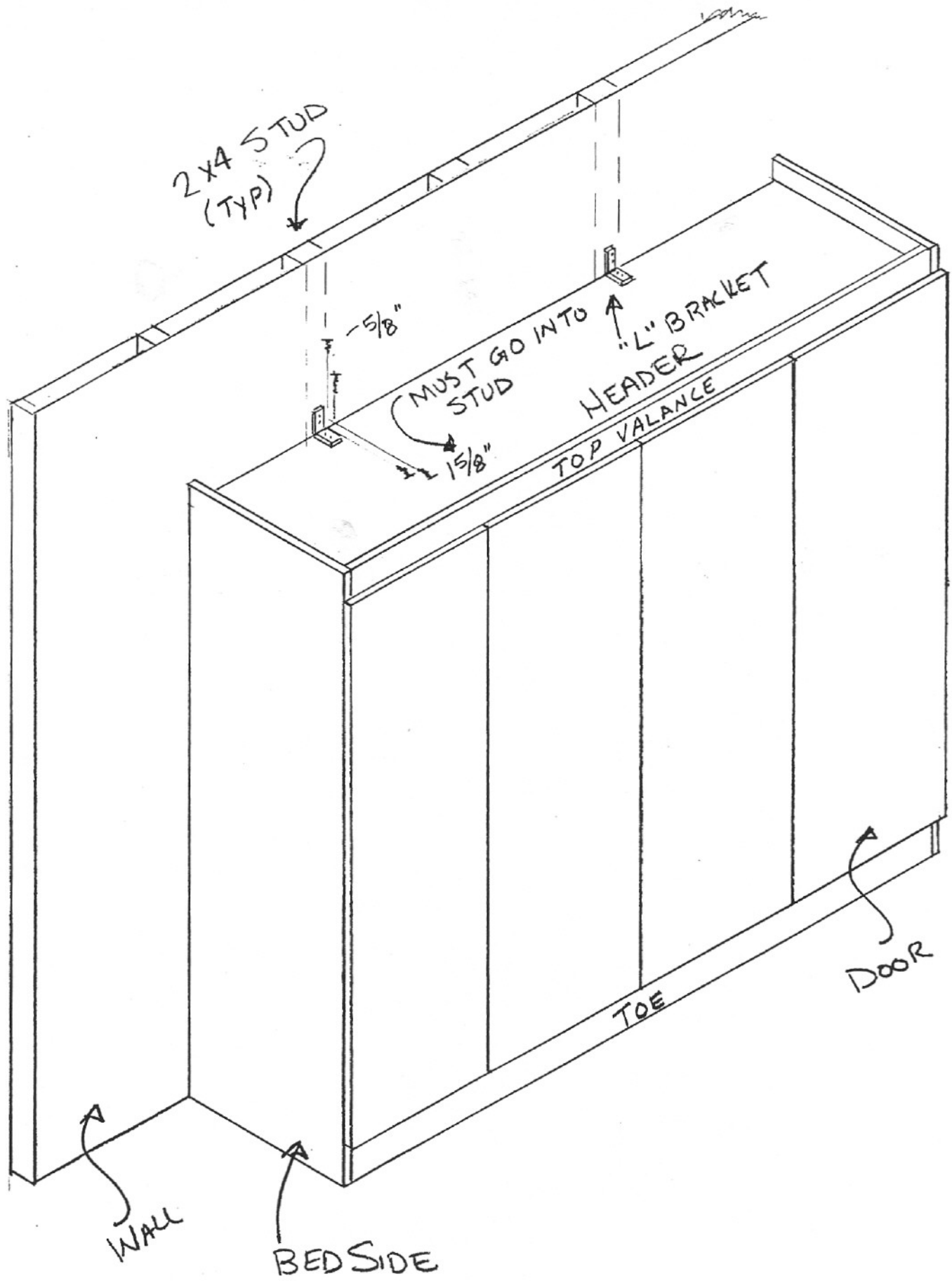
SCREW SIZES

- #6 (5/8) #10 (1 1/4)
- #6 (1 1/4)
- #6 (1 5/8)
- #6 (2)
- #6 (2 1/2)



Dowel size

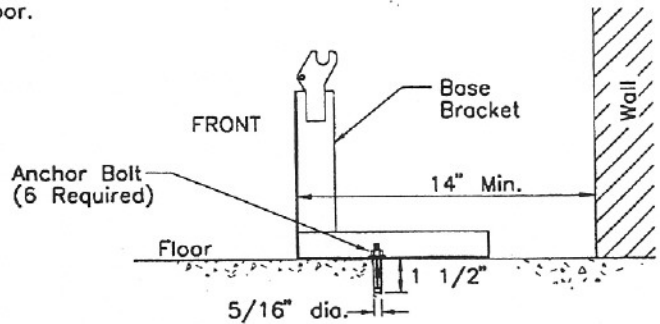
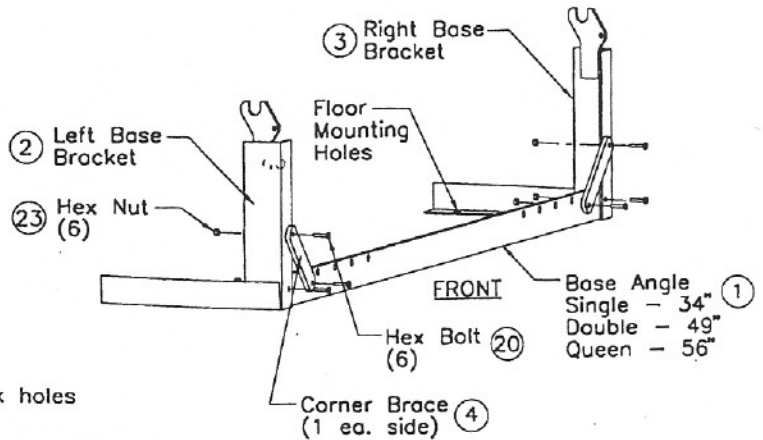
DOWEL



CAUTION: DO NOT INSTALL ON TOP OF CARPET
(cut or slit carpet and fasten directly to floor)

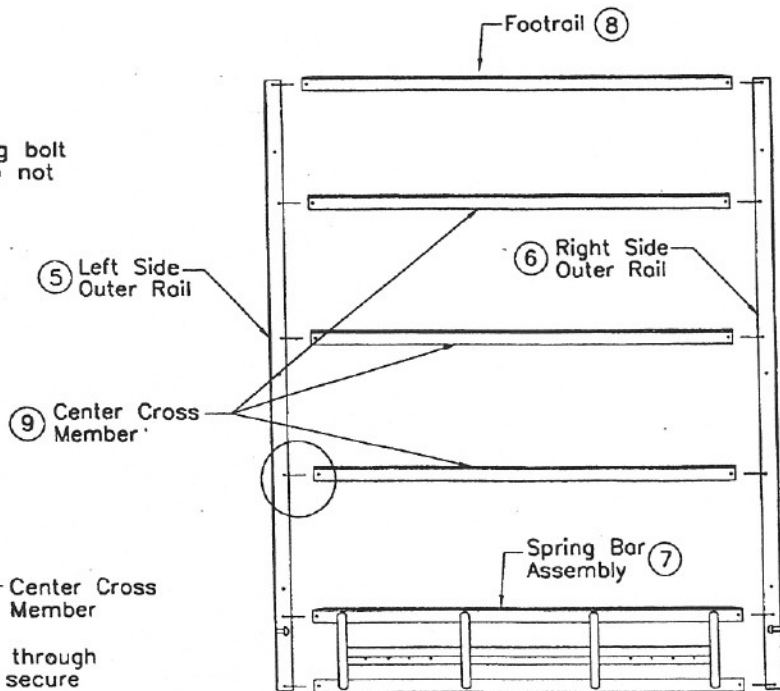
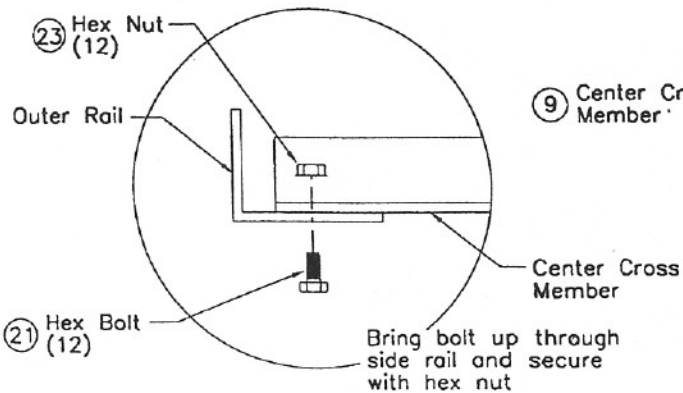
1 FLOOR BASE ASSEMBLY

1. Unpack all parts.
2. Lay base angle on floor as shown.
3. Attach left and right base brackets.
4. Attach corner braces on outside of frame.
5. Position frame on floor inside of wall cabinet allowing an equal space on the left and right side.
6. Position front of frame 14" (min.) from wall and mark holes on floor for anchors.
7. Move frame, drill holes and install anchor bolts in concrete or drill pilot holes for wood screws if mounting to wood floor.
8. Attach frame to floor with bolts (or screws).

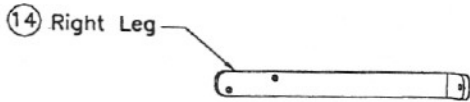
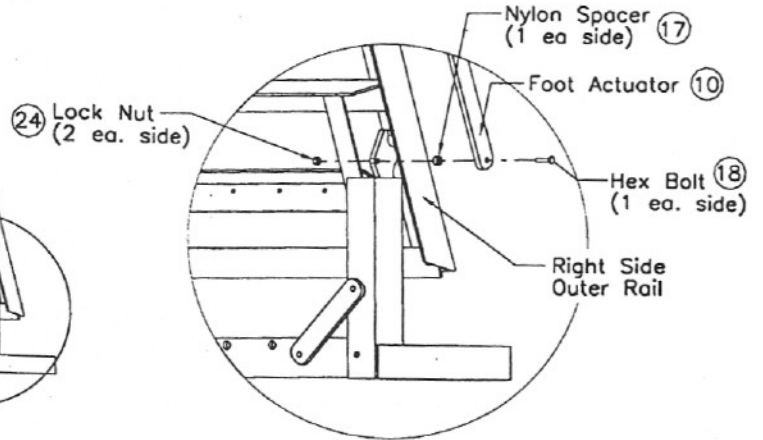
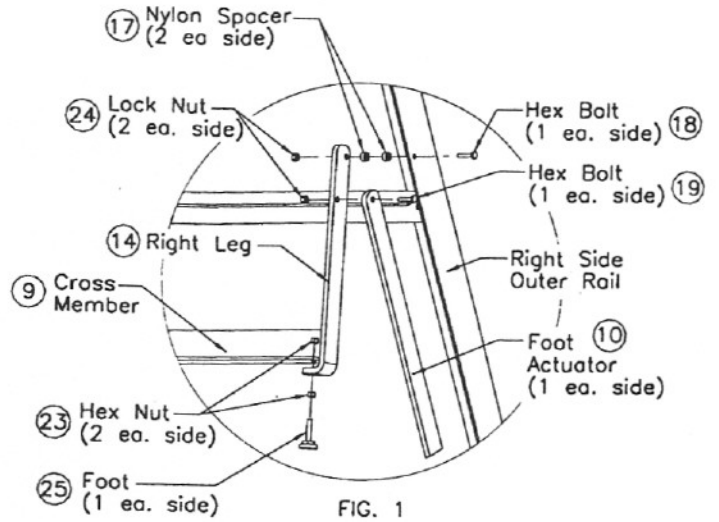
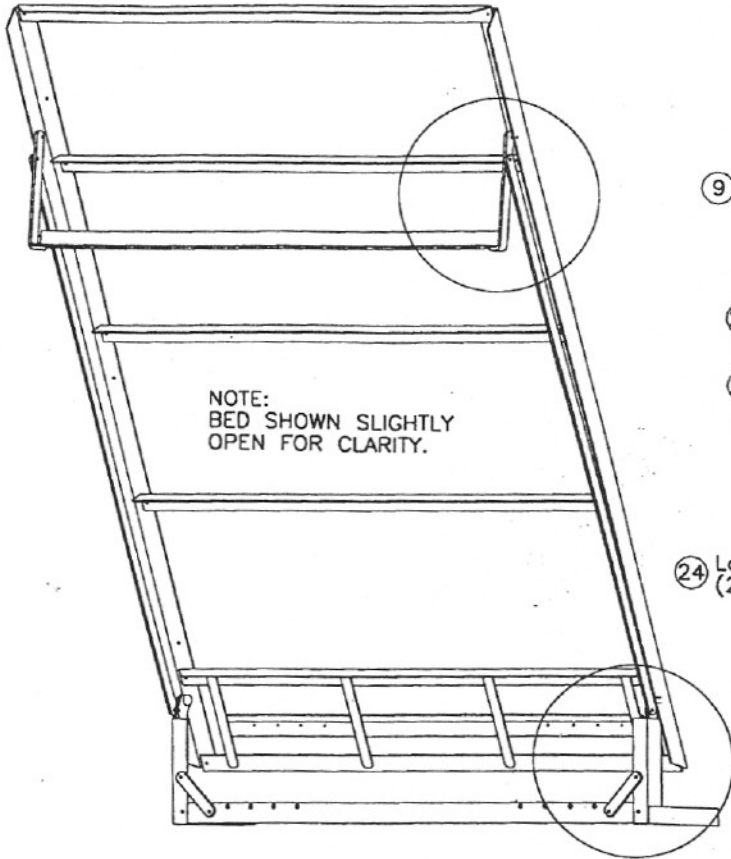


2 BED FRAME ASSEMBLY

1. Lay parts out on floor as shown.
2. Attach cross members to side rails, bringing bolt up through side rail into cross member. Do not tighten yet.
3. Square frame by measuring from corner to corner diagonally then tighten all bolts and nuts.



3 LEG ASSEMBLY

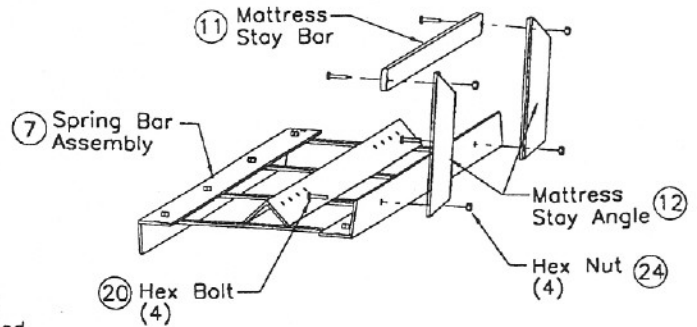


IMPORTANT:
Right leg must be on the right side
for the frame to open properly.

1. Place bed frame assembly in vertical position onto floor base assembly as shown.
2. Attach the left and right legs (See fig. 1) to the side rails of the frame. (Important: See parts list and fig. 3 to distinguish right leg from left, otherwise bed will not open properly).
3. Bolt the foot actuators to the right and left legs. (See fig. 1)
4. Bolt the other ends of the foot actuators to the floor base. (See fig. 2)
5. Place the remaining cross member onto both legs and attach with foot. (See fig. 1)

4 MATTRESS STAY ASSEMBLY

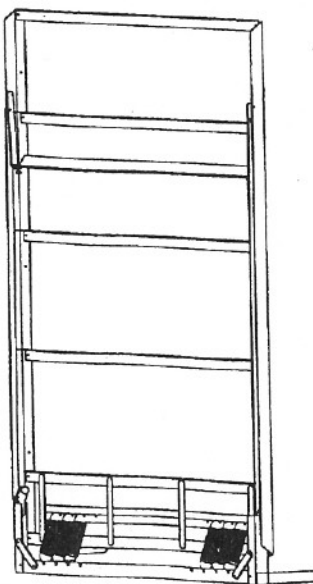
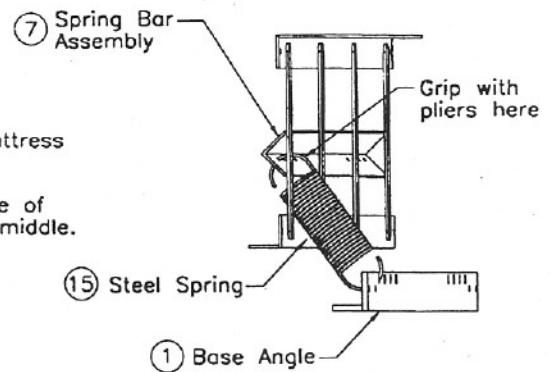
1. Bring frame down slowly to horizontal position.
2. Attach the mattress stay angles and mattress stay bar. (See fig. 3)
3. Place the mattress foundation onto the frame and return to the vertical position.
4. Attach the mattress foundation with (6) wood screws through the holes provided in the side rails of the bed frame. Place the nylon mattress strap between the foundation and the frame holes toward the foot of the bed. Run screw through frame hole, through strap and tighten into the foundation.



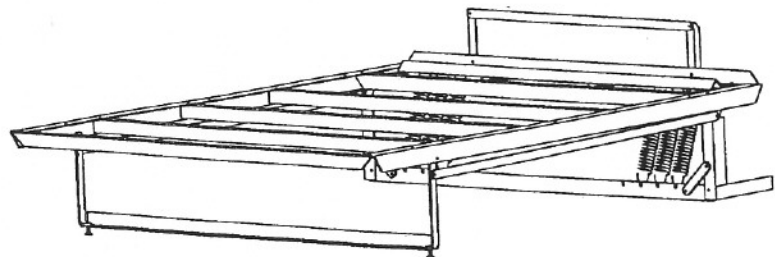
5 INSTALLING THE SPRINGS

1. Attach one spring in the outermost hole either side of the base angle. Using pliers, grip the top of the spring and stretch spring upwards and hook into the spring bar assembly. (see detail). Repeat for other side.
2. Bring frame slowly down to the horizontal position.
3. Place the mattress onto the foundation and secure with the mattress strap.
4. Return the frame to the vertical position and attach the balance of the springs starting from the outside holes working toward the middle.

NOTE: DEPENDING ON THE FRAME SIZE, NOT ALL HOLES IN THE FRAME MAY BE USED. SEE PARTS LIST FOR NUMBER OF SPRINGS FOR YOUR BED SIZE.

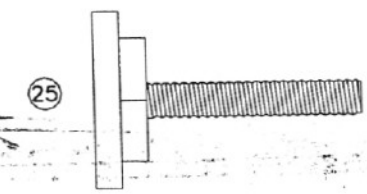
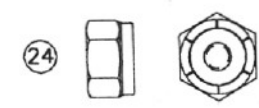
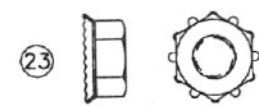
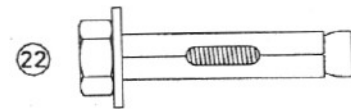
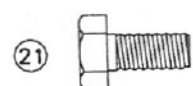
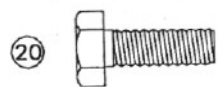
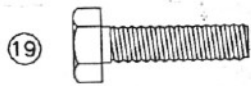
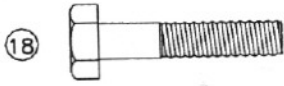
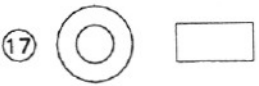
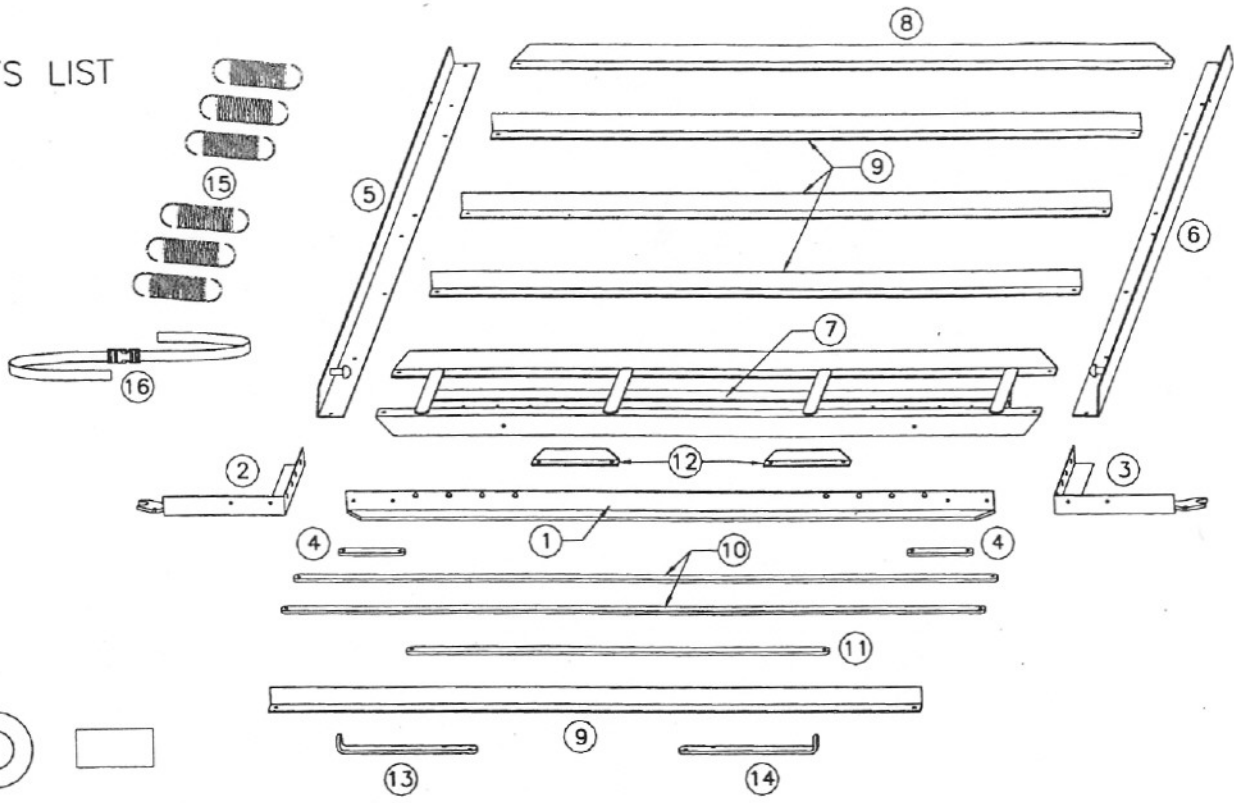


VERTICAL



HORIZONTAL

PARTS LIST



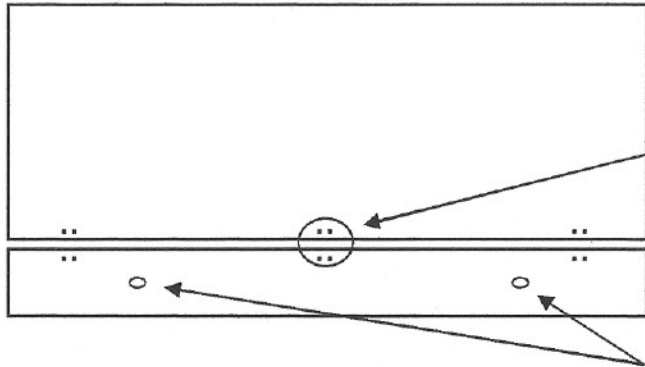
PARTS

PART	QUANT.	DESCRIPTION
1	1	BASE SPRING BAR - ANGLE IRON
2	1	WELDAMENT, LEFT BASE BRACKET
3	1	WELDAMENT, RIGHT BASE BRACKET
4	2	CORNER BRACES - FLAT IRON (5 1/4 ")
5	1	LEFT SIDE OUTER RAIL - ANGLE IRON
6	1	RIGHT SIDE OUTER RAIL - ANGLE IRON
7	1	SPRING BAR ASSEMBLY (FACTORY ASSEMBLED)
8	1	FOOTRAIL - ANGLE IRON
9	4	CENTER CROSS MEMBER - ANGLE IRON
10	2	FOOT ACTUATOR - FLAT IRON
11	1	MATTRESS STAY BAR - FLAT IRON (32")
12	2	MATTRESS STAY ANGLE - ANGLE IRON
13	1	LEFT LEG - FLAT IRON
14	1	RIGHT LEG - FLAT IRON
15	4/6/8	STEEL SPRINGS (TWIN 4, FULL 6, QUEEN 8)
16	1	MATTRESS STRAP

FASTENERS

PART	QUANT.	DESCRIPTION
17	6	NYLON SPACER
18	4	HEX BOLTS - 1 1/4 " X 1/4 "
19	2	HEX BOLTS - 1" X 1/4 "
20	10	HEX BOLTS - 3/4 " X 1/4 "
21	12	HEX BOLTS - 1/2 " X 1/4 "
22	6	HEX HEAD SLEEVE ANCHOR 1/2 " X 5/16 "
23	26	HEX NUTS - 1/4 "
24	6	HEX LOCK NUTS - 1/4 "
25	2	FOOT

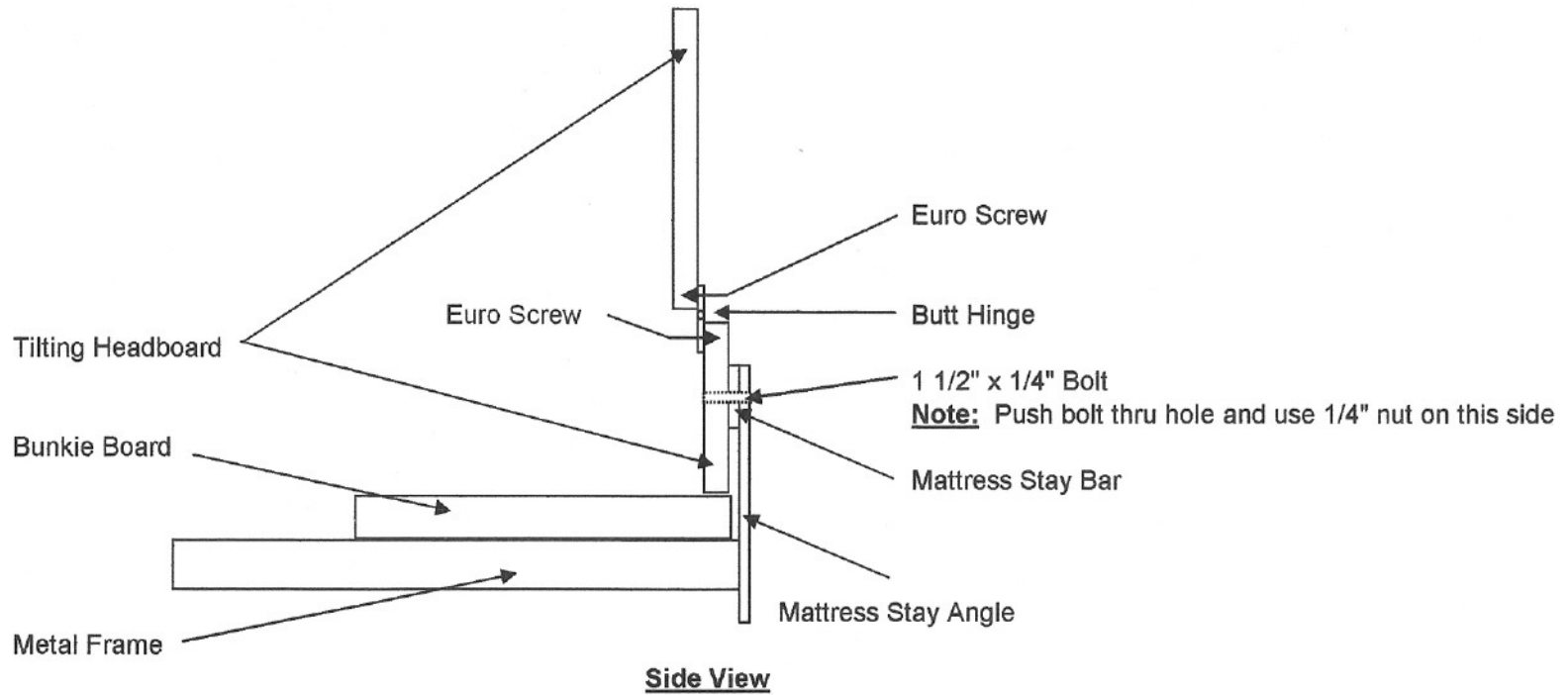
THIS PAGE ONLY APPLIES IF YOU HAVE ORDERED A TILTING HEAD BOARD



Butt Hinge
(typical)

Note: King, Queen, Full have (3) & Twin have (2).

Note: Go to page (11) and step #4. These 2-holes in the tilting head board match up with the 2-holes on Mattress Stay Bar. We have sent (2) 1 1/2" x 1/4" bolts that are to replace the bolts from the Murphybed Kit. These new bolts will go through the Tilting Headboard & Mattress Stay Bar & Mattress Stay Angle. Use the 1/4" nuts from the Murphybed Kit to tighten. Tilting Headboard will come with the 5/16" holes partially drilled thru. You will need a 5/16" drill bit to finish drilling out the holes in the Tilting Headboard



Euro Screw

Butt Hinge

1 1/2" x 1/4" Bolt

Note: Push bolt thru hole and use 1/4" nut on this side

Mattress Stay Bar

Mattress Stay Angle

Tilting Headboard

Bunkie Board

Metal Frame

Side View